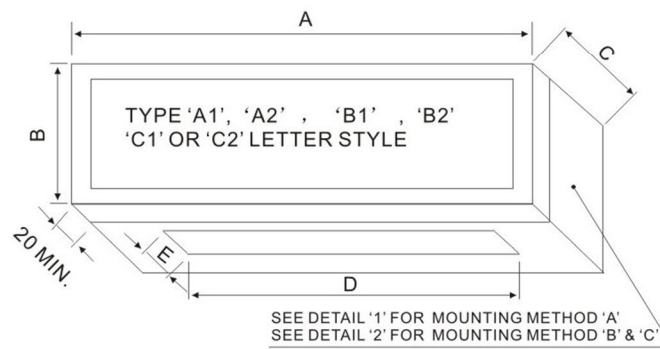


SCHEDULE OF DIMENSIONS FOR EXIT SIGN BOX

DIMENSION TYPE OF BOX	DIMENSION					TYPE OF FITTING	REMARKS
	A	B	C	D	E		
TYPE 'IV'	530	180	95	220	30	300mm FLUORESCENT LIGHTING FITTING C/W 1X8W T5 FLUORESCENT LAMP	USED AS AN EXIT SIGN WITH TYPE 'A1', 'A2', 'B1', 'B2', 'C1' & 'C2' LETTER STYLE



TYPE 'IV'



TYPE 'A1'
LETTER STYLE:
MODIFIED
GARAMOND



TYPE 'A2'
LETTER STYLE:
MODIFIED
GARAMOND



TYPE 'B1'
LETTER STYLE:
HELVETICA



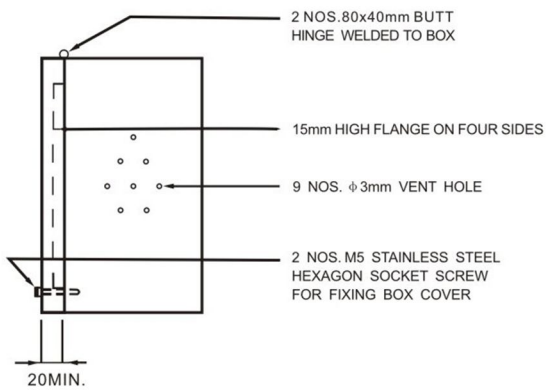
TYPE 'B2'
LETTER STYLE:
HELVETICA



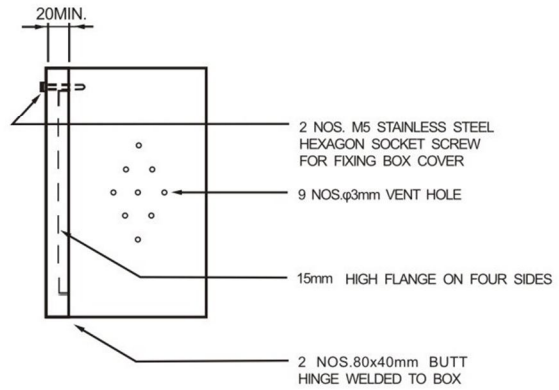
TYPE 'C1'
LETTER STYLE:
MARIGOLD



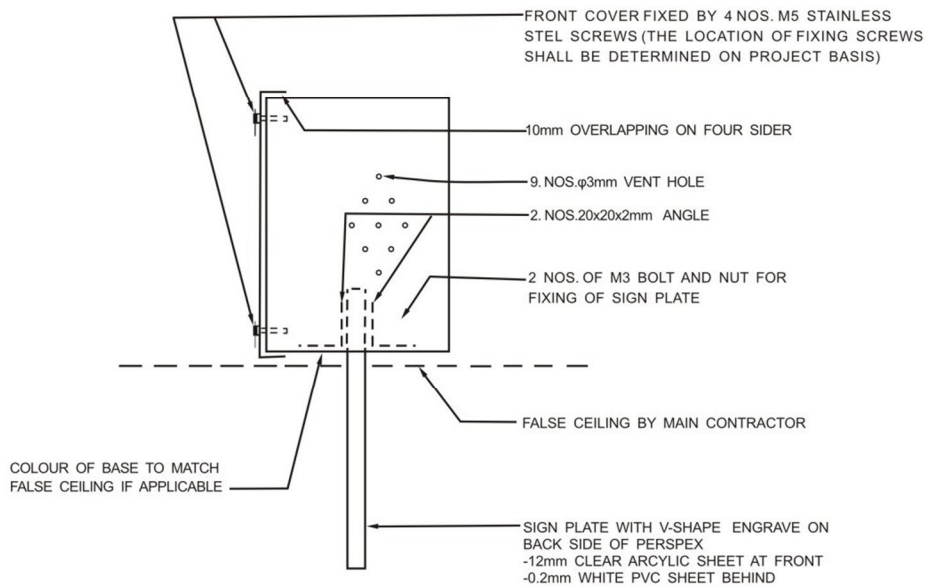
TYPE 'C2'
LETTER STYLE:
MARIGOLD



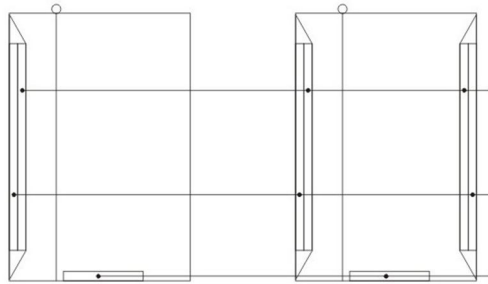
DETAIL1



DETAIL2



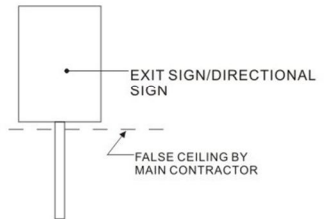
DETAIL3



2.5mm THICK TRANSLUCENT PLASTIC SHEET IN ONE PIECE BEARING LETTERING/GRAPHICS WITH CONTRASTING COLOUR (SEE SCHEDULE OF COLOUR CONTRAST)

2mm THICK CLEAR POLYCARBONATE SHEET IN ONE PIECE

2.5mm THICK OPAL POLYCARBONATE SHEET FOR TYPE 'I' ONLY

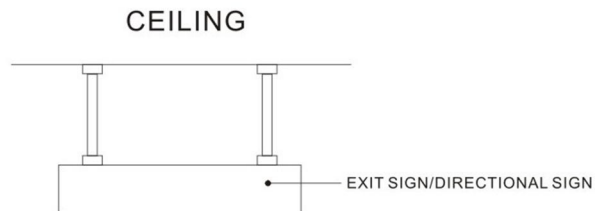


MOUNTING METHOD 'D'

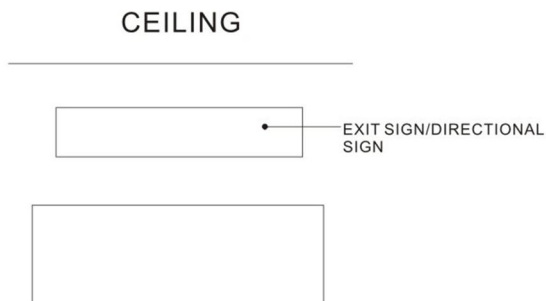
ARRANGEMENT 'a'

ARRANGEMENT 'b'

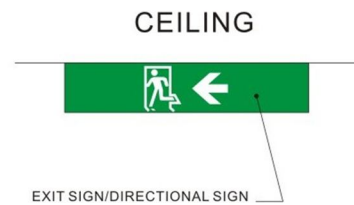
FACEPLATE ARRANGEMENT



MOUNTING METHOD 'A'



MOUNTING METHOD 'B'



MOUNTING METHOD 'C'



“JOHNSON”EMERGENCY LIGHTING CONVERSION KIT

(Maintained type[JF]and Non-maintained type [JE])

Model Code Conversion Unit Battery Pack Specification	Conversion Kit	JF20N3	JF40N3	JF65N3	Discharge current (mA)
	Wattage	4-20w	4-40w	4-65w	
	Dimension(LxHxD mm)	159x45x45	159x45x45	159x45x45	
	Weight(grammes)	1500	1500	1500	
	Ni-Cad Batttery cell	VTC	VTC	VTD	
	Voltage & Capacity	9.6V 2.2Ah	9.6V 4Ah	12V 4Ah	
	No. Ofcells	8	8	10	
	Dimension (Lxϕ x H mm)	205x25x55	(242x38x)x2	(302x38x)x2	
	Weight(grammes)	500	1000	1200	
	Ballast Lumen Factor	0.26	0.15	0.12	
	Mains Voltage	220-240 VAC			
	Emergency Duration	3 Hours			
	Ambient Temperature	0-50			
	Compatible with	Electronic Ballast and Conventional Ballast			
	T5 Fluorescent Lamps		Model of Conversion kit		
8w (300 mm)	JF8N3			680	
14w (549 mm)	JF14N3			680	
21w (849 mm)	JF21N3			680	
28w (1149 mm)		JF28N3		930	
35w (1149 mm)		JF35N3		930	
24w (549 mm)		JF24N3		930	
39w (849 mm)		JF39N3		930	
54w (1149 mm)			JF54N3	1030	
T8 Fluorescent Lamps					
10w (470 mm)	JF10N3			680	
15w (450 mm)	JF15N3			680	
18w (600 mm)	JF20N3			680	
30w (900 mm)		JF30N3		930	
36w (1200 mm)		JF40N3		930	
58w (1500 mm)			JF65N3	1030	
Compact Fluo. Lamps (4 pin)					
5w PL	JF5PLN3			680	
55w			JF55PLN3	1030	
13w PLC	JF13PLCN3			680	
18w	JF18PLCN3			680	
26w		JF26PLCN3		930	
13w PL-T	JF13PL-TN3			680	
18w	JF18PL-TN3			680	
26w		JF26PL-TN3		930	
32w		JF32PL-TN3		930	
42w		JF42PL-TN3		930	
2D Lamps(4 pin)					
16w	JF2D16N3			680	
28w		JF2D28N3		930	
38w		JF2D38N3		930	
Circular Fluorescent Lamps					
22w (210 mm dia)		JF22N3		930	
32w (305 mm dia)		JF32N3		930	



JOHNSON



ISO9001:2008
Certificate No:FM56403

“JOHNSON” B.S. Kitemark series are designed for BS EN61347-2-7 & BS EN 60925 which to be approved by British Standard Institution (BSI). The emergency conversion kits are applied for T8 & T5 fluorescen lamps, 4 pin compact fluorescent lamps and 2D lamps, also can be used Nickel Cadmium (NI-CD) and Nickel Metal Hydride (NI-MH) rechargeable batteries. The minimum recharging time is 24 hours.



JF20N3-Kitemark(14W, 13W/18W PLC)



JF40N3-Kitemark(28W, 26W PLC)



JF65N3-Kitemark(35W, 32W/42W PL-T)

Wiring Diagram:

